

Kawasaki Robotics

EMEA Headquarters, Sales and Service

Kawasaki Robotics GmbH
<http://kawasakirobotics.de>
 Im Taubental 32, 41468 Neuss, Germany
 Phone: +49-2131-3426-0 Fax: +49-2131-3426-22

Branch Offices

Kawasaki Robotics (UK) Ltd.
<http://kawasakirobotics.de>
 Unit 4 Easter Court, Europa Boulevard, Westbrook Warrington
 Cheshire, WA5 7ZB, United Kingdom
 Phone: +44-1925-71-3000 Fax: +44-1925-71-3001

Kawasaki Robotics France
<http://kawasakirobotics.de>
 PA de la clé St Pierre, 78990 ELANCOURT, France
 Phone: +336-31 27 43 41 Fax: +336-31 27 43 41

Kawasaki Heavy Industries Russia LLC (KHI- Moscow)
<http://kawasakirobotics.de>
 Office 1206, entrance 3, 12 Krasnopresnenskaya emb.,
 Moscow, Russian Federation 123610
 Phone: +7-495-258-2115 Fax: +7-495-258-2116

Kawasaki Heavy Industries Middle East FZE (KHI-ME)
<http://kawasakirobotics.de>
 Dubai Airport Free Zone, Bldg. W6, Block-A,
 Office No. 709, PO BOX 54878, Dubai UAE
 Phone: +971-(0)4-214-6730 Fax: +971-(0)4-214-6729

Kawasaki Robotics Central Eastern Europe HUB
<http://kawasakirobotics.pl>
 3 Feliksa Wrobela Street 30-798 Cracow, Poland
 Phone: +48-663 890 123

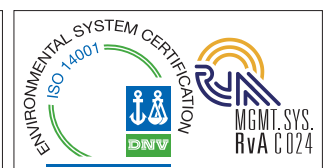
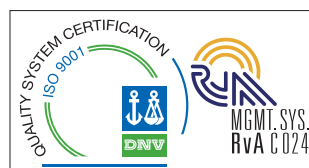
Kawasaki Heavy Iberian HUB
 Francisco Aristeguieta Centro Tecnológico (F.A.C.T.)
 GI-3162 (Zarautz-Urdaneta) km 2,2
 E-20809 AIA (Gipuzkoa), Spain
 Phone: +34-943 140 139

<http://kawasakirobotics.de>



CAUTIONS TO BE TAKEN TO ENSURE SAFETY

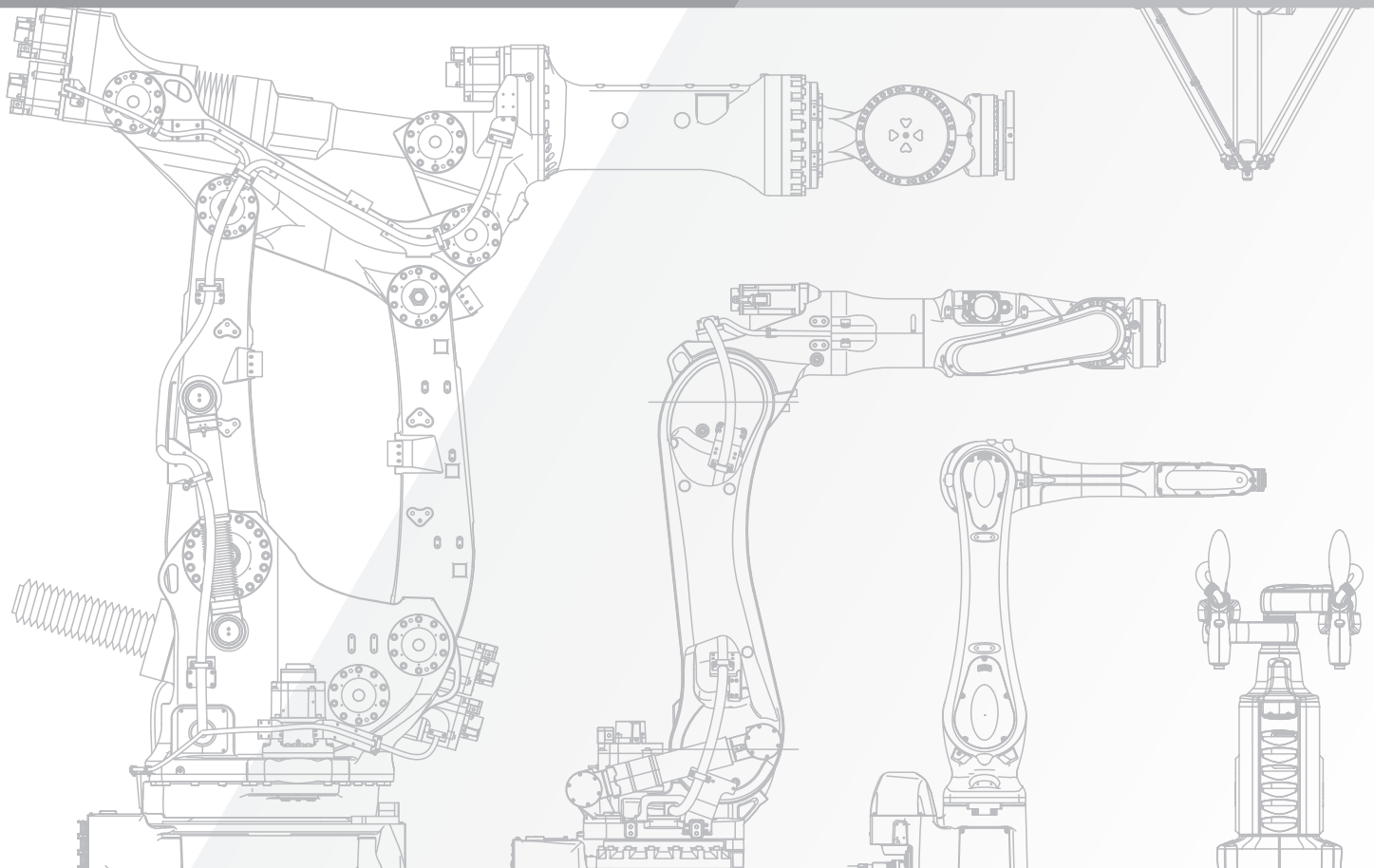
- For those persons involved with the operation / service of your system, including Kawasaki Robot, they must strictly observe all safety regulations at all times. They should carefully read the Manuals and other related safety documents.
- Products described in this catalogue are general industrial robots. Therefore, if a customer wishes to use the Robot for special purposes, which might endanger operators or if the Robot has any problems, please contact us. We will be pleased to help you.
- Be careful as Photographs illustrated in this catalogue are frequently taken after removing safety fences and other safety devices stipulated in the safety regulations from the Robot operation system.



ISO certified in Akashi Works.

Kawasaki Robotics

ASTORINO



Kawasaki Robotics ASTORINO

A New Way of Learning Robotics

The way we work in the future is changing quickly – and universities and education need to reflect that in order to prepare robotics engineers for the future of automation. This comes with a number of challenges: How to teach robotics in a lab without a physical robot? How can a university or school with limited budget cover the costs for an industrial robot? How to deal with potential damages to the valuable purchase? After all: Learning and science are all about experimenting and making mistakes along the way.

That is why we created ASTORINO. The robot is the result of knowledge, experience and keeping up with the latest technological trends. With ASTORINO, students will be taken directly into the world of industry and experience robotics in action.

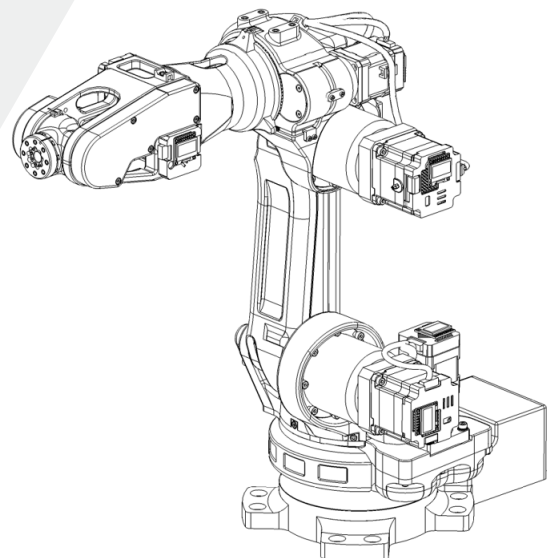
With ASTORINO students will...:

- learn what is important when assembling a robot.
- learn how to solve potential problems that may arise in their professional work
- expand their knowledge in the field of robotics.



“I couldn’t find such a robot, so I invented one...to ensure that learning is inspiring, great fun and a pathway to the profession of the future.”

Marek Niewiadomski
(Design Engineer Kawasaki Robotics CEE HUB
and Creator of ASTORINO)



astorino

 **Kawasaki**
Robotics

The Future of Robotics Education

Create a laboratory that is:

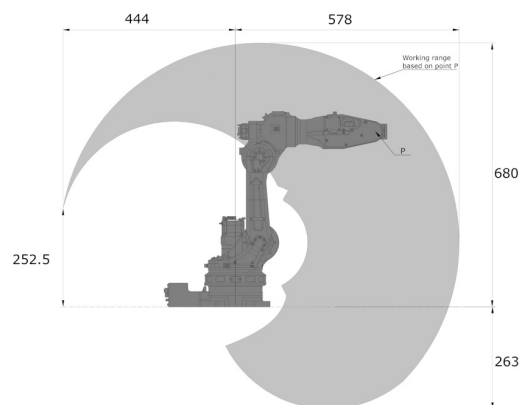
- equipped with modern equipment and provides a robot to every student,
- cost-effective,
- safe and user-friendly.

At many technical universities, robot programming is still done on a piece of paper or in a simulator. You can change it. With ASTORINO, the teaching process can be innovative and respond to the demands of the modern world. It can also serve as a showcase for a school or university, increasing its attractiveness in the education market.

ASTORINO is a modern 6-axis robot based on 3D printing technology. Programmable in AS-language. It facilitates the preparation of classes with ready-made teaching materials, is easy both to use and to repair, and gives the opportunity to learn and make mistakes without fear of breaking it.



Working range



ASTORINO: The Facts

- 99.5 % 3D printing (only exception: mechanical parts)
- 6 weeks delivery time (with durable packaging)
- Compatible with Kawasaki Robotics (same programming language)
- Easy to operate and repair (easily available spare parts through 3D printing)
- Can easily be assembled during classes
- Linear Track, Machine Vision and I/O Module available
- Training, technical documents, safety certificate and CAD files included

